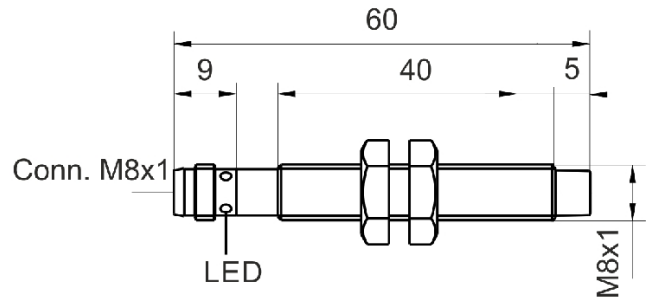
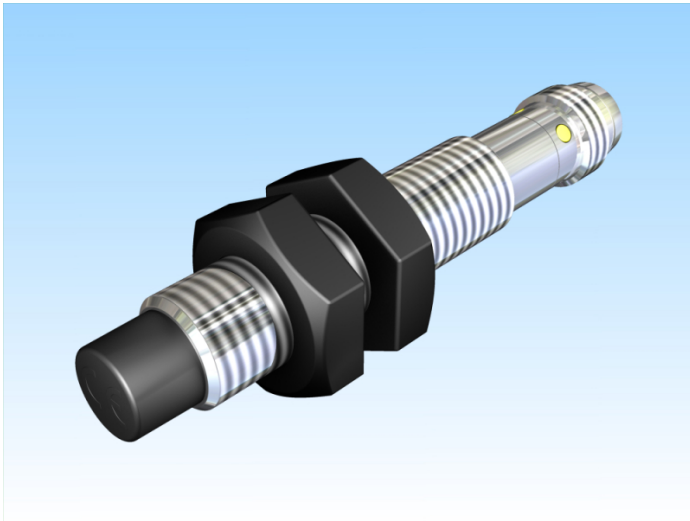




[Article Page](#)

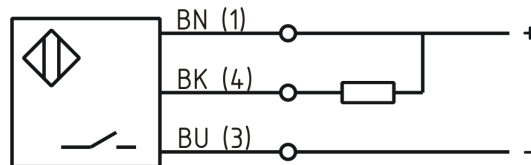
Product Description

inductive sensor DC



Name  
Order number  
Switching distance  
Mounting  
  
Switch type  
  
Signal Type  
Connection  
Connection diagramm

SJ6-M8MN60-DNS-V1  
08313060831  
6 mm  
  
 non shielded  
  
 N.O.  
DC NPN  
connector M8



fine-pitch thread M8 x 60

Dimension (in mm)  
Technical Specification  
Operating voltage  
Max. ripple  
Voltage drop  
Max. load current  
No load current  
Leakage current  
Switching frequency  
Switching hysteresis  
Operating temperature  
Temperature drift  
Repeat accuracy  
Switching state  
Time delay  
Short-circuit proof  
Overload protection  
Reverse voltage protection  
Protection category  
EMC-level  
Housing material  
Material active face  
Utilisation category

10 - 30 VDC  
 $\leq 10 \%$   
 1 V  
 200 mA  
 $\leq 10 \text{ mA}$   
 $\leq 10 \mu\text{A}$   
 1000 Hz  
 $\leq 15 \%$   
 $-25 \text{ }^\circ\text{C to } 70 \text{ }^\circ\text{C}$   
 $< 10 \%$   
 $\leq 2 \%$   
 LED  
 300 ms  
 yes  
 yes  
 yes  
 IP67  
 DIN EN 60947-5-2:2008  
 Brass, nickel plated  
 POM  
 DC 13



## **SJ6-M8MN60-DNS-V1**

Pulsotronic GmbH & Co. KG Neue Schichtstraße 14b 09366 Niederdorf Deutschland +49 (0)37296 930-200

Contact material  
Contact surface material  
Termination

Cu  
NiAu  
Connector M8 3pin

**Errors and omissions excepted**