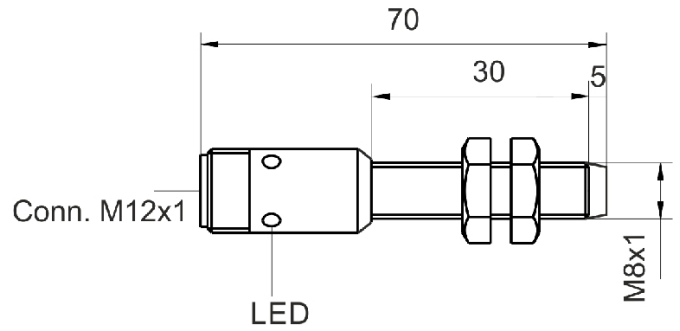


[Article Page](#)

Product Description

inductive sensor DC



Name
Order number
Switching distance
Mounting

Switch type

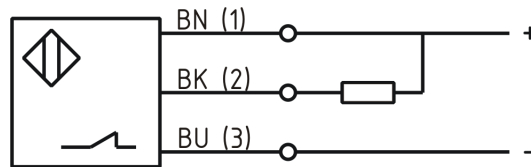
Signal Type
Connection
Connection diagramm

SJ6-M8MN70-DNÖ-V2
08313060842
6 mm

 non shielded

 N.C.
DC NPN
connector M12

Dimension (in mm)
Technical Specification
Operating voltage
Max. ripple
Voltage drop
Max. load current
No load current
Leakage current
Switching frequency
Switching hysteresis
Operating temperature
Temperature drift
Repeat accuracy
Switching state
Time delay
Short-circuit proof
Overload protection
Reverse voltage protection
Protection category
EMC-level
Housing material
Material active face
Utilisation category



fine-pitch thread M8 x 70

10 - 30 VDC
 $\leq 10 \%$
 1 V
 200 mA
 $\leq 10 \text{ mA}$
 $\leq 10 \mu\text{A}$
 1000 Hz
 $\leq 15 \%$
 -25 ° C to 70 ° C
 $< 10 \%$
 $\leq 2 \%$
 LED
 300 ms
 yes
 yes
 yes
 IP67
 DIN EN 60947-5-2:2008
 Brass, nickel plated
 POM
 DC 13



SJ6-M8MN70-DNÖ-V2

Pulsotronic GmbH & Co. KG Neue Schichtstraße 14b 09366 Niederdorf Deutschland +49 (0)37296 930-200

Contact material
Contact surface material
Termination

Cu
NiAu
Connector M12 4pin

Errors and omissions exceptet