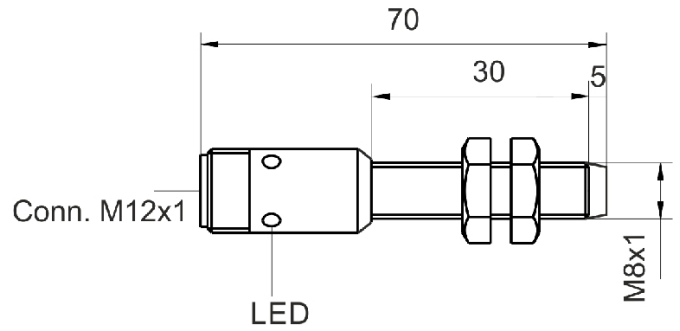




[Article Page](#)

Product Description

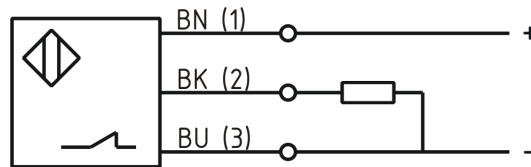
inductive sensor DC



Name  
Order number  
Switching distance  
Mounting  
  
Switch type  
  
Signal Type  
Connection  
Connection diagramm

SJ6-M8MN70-DPÖ-V2  
08313060822  
6 mm  
  
 non shielded  
  
 N.C.  
DC PNP  
connector M12

Dimension (in mm)  
Technical Specification  
Operating voltage  
Max. ripple  
Voltage drop  
Max. load current  
No load current  
Leakage current  
Switching frequency  
Switching hysteresis  
Operating temperature  
Temperature drift  
Repeat accuracy  
Switching state  
Time delay  
Short-circuit proof  
Overload protection  
Reverse voltage protection  
Protection category  
EMC-level  
Housing material  
Material active face  
Utilisation category



fine-pitch thread M8 x 70  
  
10 - 30 VDC  
≤ 10 %  
1 V  
200 mA  
≤ 10 mA  
≤ 10 μA  
1000 Hz  
≤ 15 %  
-25 ° C to 70 ° C  
< 10 %  
≤ 2 %  
LED  
300 ms  
yes  
yes  
yes  
IP67  
DIN EN 60947-5-2:2008  
Brass, nickel plated  
POM  
DC 13



## SJ6-M8MN70-DPÖ-V2

Pulsotronic GmbH & Co. KG Neue Schichtstraße 14b 09366 Niederdorf Deutschland +49 (0)37296 930-200

Contact material  
Contact surface material  
Termination

Cu  
NiAu  
Connector M12 4pin

**Errors and omissions exceptet**