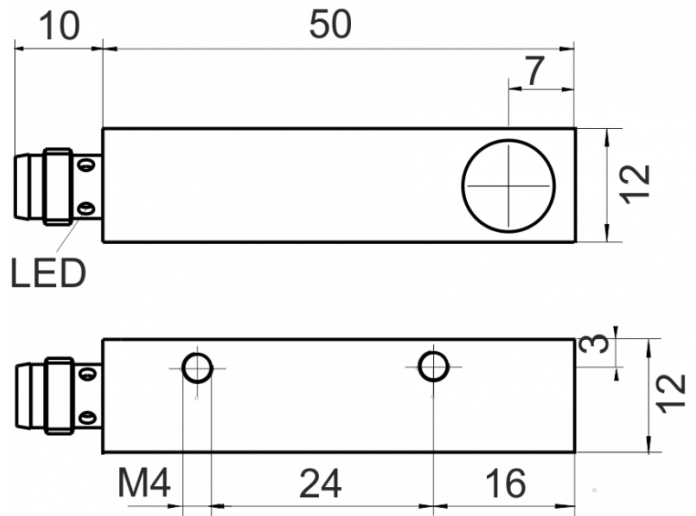


[Article Page](#)

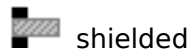
Product Description

inductive sensor DC

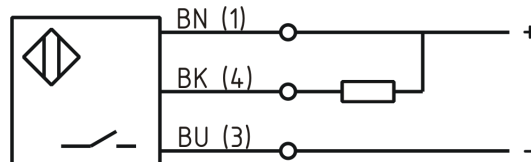


Name  
 Order number  
 Switching distance  
 Mounting  
  
 Switch type  
  
 Signal Type  
 Connection  
 Connection diagramm

SJ6-Q12MB60-DNS-V1  
 08313661231  
 6 mm



N.O.  
 DC NPN  
 connector M8



Q 12 x 12 x 60

Dimension (in mm)  
 Technical Specification  
 Special features  
 Operating voltage  
 Max. ripple  
 Voltage drop  
 Max. load current  
 No load current  
 Leakage current  
 Switching frequency  
 Switching hysteresis  
 Operating temperature  
 Temperature drift  
 Repeat accuracy  
 Switching state  
 Time delay  
 Short-circuit proof  
 Overload protection  
 Reverse voltage protection  
 Protection category  
 EMC-level  
 Housing material  
 Material active face

quasi-shielded mounting  
 10 - 30 VDC  
 $\leq 10 \%$   
 2 V  
 200 mA  
 $\leq 10 \text{ mA}$   
 $\leq 10 \mu\text{A}$   
 1000 Hz  
 $\leq 15 \%$   
 -25 ° C to 70 ° C  
 $\leq 10 \%$   
 $\leq 5 \%$   
 LED  
 300 ms  
 yes  
 yes  
 yes  
 IP67  
 DIN EN 60947-5-2:2008  
 Brass, nickel plated  
 POM



## SJ6-Q12MB60-DNS-V1

Pulsotronic GmbH & Co. KG Neue Schichtstraße 14b 09366 Niederdorf Deutschland +49 (0)37296 930-200

|                           |                   |
|---------------------------|-------------------|
| Utilisation category      | DC 13             |
| Contact material          | CuSn              |
| Contact surface material  | NiAu              |
| Nominal operating voltage | 24 V DC           |
| Termination               | Connector M8 3pin |

**Errors and omissions exceptet**