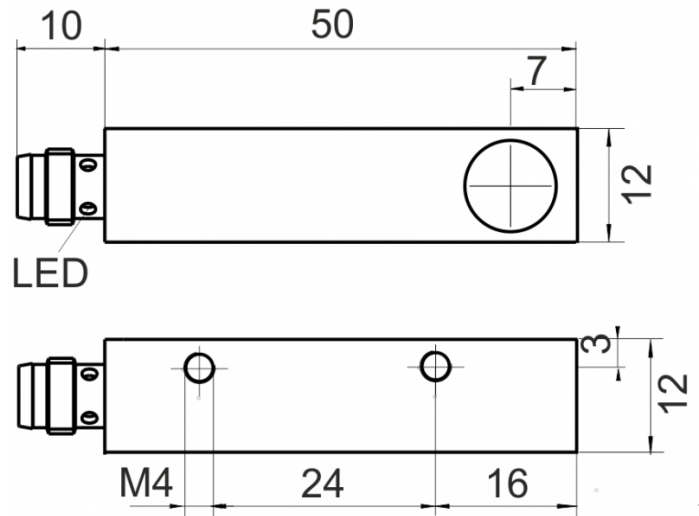


[Article Page](#)

Product Description

inductive sensor DC

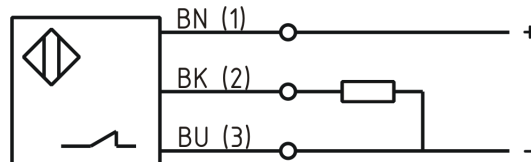
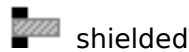


Name
 Order number
 Switching distance
 Mounting

 Switch type

 Signal Type
 Connection
 Connection diagramm

SJ6-Q12MB60-DPÖ-V1
 08313661221
 6 mm



Q 12 x 12 x 60

Dimension (in mm)
 Technical Specification
 Special features
 Operating voltage
 Max. ripple
 Voltage drop
 Max. load current
 No load current
 Leakage current
 Switching frequency
 Switching hysteresis
 Operating temperature
 Temperature drift
 Repeat accuracy
 Switching state
 Time delay
 Short-circuit proof
 Overload protection
 Reverse voltage protection
 Protection category
 EMC-level
 Housing material
 Material active face

quasi-shielded mounting
 10 - 30 VDC
 $\leq 10 \%$
 2 V
 200 mA
 $\leq 10 \text{ mA}$
 $\leq 10 \mu\text{A}$
 1000 Hz
 $\leq 15 \%$
 -25 ° C to 70 ° C
 $\leq 10 \%$
 $\leq 5 \%$
 LED
 300 ms
 yes
 yes
 yes
 IP67
 DIN EN 60947-5-2:2008
 Brass, nickel plated
 POM



SJ6-Q12MB60-DPÖ-V1

Pulsotronic GmbH & Co. KG Neue Schichtstraße 14b 09366 Niederdorf Deutschland +49 (0)37296 930-200

Utilisation category
Contact material
Contact surface material
Nominal operating voltage
Termination

DC 13
CuSn
NiAu
24 V DC
Connector M8 3pin

Errors and omissions exceptet