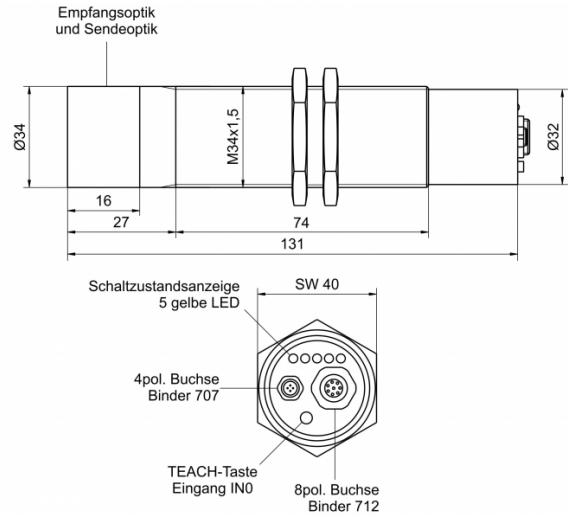
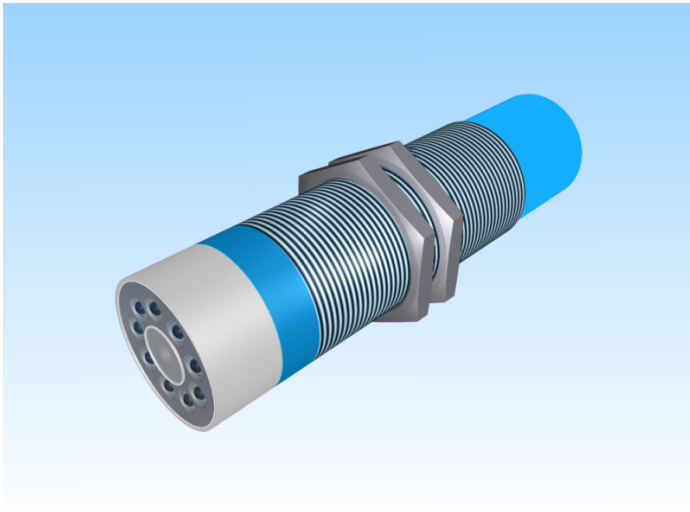


[Article Page](#)

Product Description

color sensor



Name
Order number
Switching distance
Switch type

SPECTRO-3-30-UV
08386289043
30

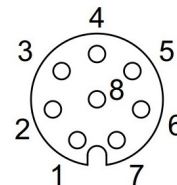
Signal Type
Illuminant
Connection

digital
PNP/NPN
 Ultraviolet 375 nm

Polschema

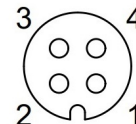
Socket

SPS
Binder 712, 8 pol.



- 1 wh GND (0V)
- 2 bn +24V DC (±10%)
- 3 gn IN 0
- 4 ye OUT 0
- 5 gy OUT 1
- 6 pk OUT 2
- 7 bu OUT 3
- 8 rd OUT 4

PC
Binder 707, 4 pol.



- 1 +24V DC
- 2 GND (0V)
- 3 RxD
- 4 TxD

M34 x 131

Dimension (in mm)
Technical Specification
Special features

3-color filter detector (TRUE COLOR detector, "human color perception"), Color and gray scale detection

| | |
|-----------------------------|---|
| Operating voltage | 22,6 - 26,4 V DC |
| Max. load current | 100 mA |
| No load current | 220 mA |
| Switching frequency | 60 kHz |
| Temperature drift | < 0,01 %/ °C |
| Repeat accuracy | +/- 1 Digit in the X, Y color range at 12-bit A/D conversion |
| Swiching state | LED |
| Digital output | OUT 0 ... OUT 4, digital (0V/+Ub), 100 mA max. switching current npn, pnp-output available (bright-, dark-switching can be switched over) |
| Natural extraneous light | 5000 Lux in AC-mode |
| Artificial extraneous light | 5000 Lux in AC-mode |
| Material of light outlet | Glas |
| Impulse delay | einstellbar/ adjustable 0 ms ... 100 ms |
| Tolerance limit adjustable | ja |
| Working range | from 15 to 80 mm |
| Short-circuit proof | yes |
| Overload protection | yes |
| Reverse voltage protection | yes |
| Protection category | IP64 (Optik IP67) |
| Housing material | Aluminum |
| Termination | connection to PLC: 8-pole fem. connector (Binder Series 712), connection to PC: 4-pole fem. connector (Binder Series 707) |

Errors and omissions exceptet