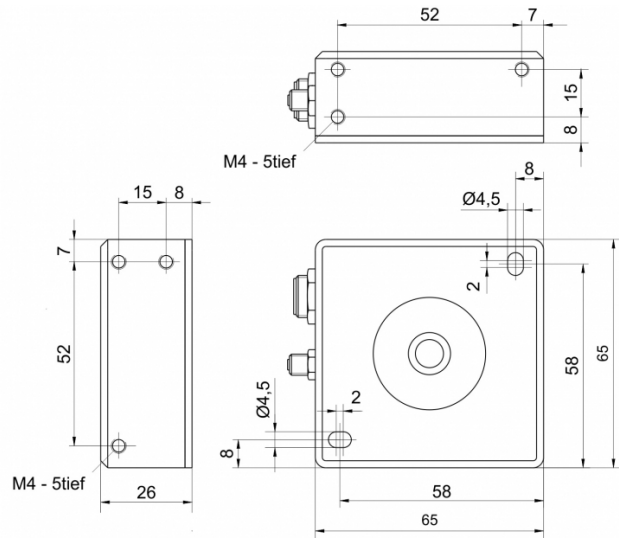


color sensor



Name
Order number
Switch type

SPECTRO-3-50-DIL-JR
08386349743

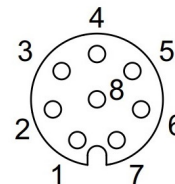
Signal Type
Illuminant
Connection

digital
PNP/NPN
 White light

Polschema

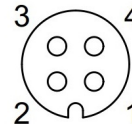
Socket

SPS
Binder 712, 8 pol.



- 1 wh GND (0V)
- 2 bn +24V DC (±10%)
- 3 gn IN 0
- 4 ye OUT 0
- 5 gy OUT 1
- 6 pk OUT 2
- 7 bu OUT 3
- 8 rd OUT 4

PC
Binder 707, 4 pol.



- 1 +24V DC
 - 2 GND (0V)
 - 3 RxD
 - 4 TxD
- Q 65 x 26 x 65

Dimension (in mm)
Technical Specification
Special features

Reduction of gloss effect due to diffuse illumination,
Color and gray scale detection

Operating voltage
Max. load current

22,6 - 26,4 V DC
100 mA

No load current	< 200 mA
Switching frequency	35 kHz
Temperature drift	< 0,01 % / °C
Repeat accuracy	+/- 1 Digit in the x, y color range at 12 bit
Digital output	, OUT 0 ... OUT 4, digital (0V/+Ub), 100 mA max. switching current npn, pnp-output available (bright-, dark-switching can be switched over)
Natural extraneous light	5000 Lux in AC-mode
Artificial extraneous light	5000 Lux in AC-mode
Material of light outlet	Glas
Impulse delay	einstellbar/ adjustable 0 ms ... 100 ms
Amplifying adjustable	8 fach/ 8-fold
Tolerance limit adjustable	ja
Working range	from 20 to 80 mm
Short-circuit proof	yes
Overload protection	yes
Reverse voltage protection	yes
Protection category	IP64 (Optik IP67)
EMC-level	DIN EN 60947-5-2
Housing material	Aluminum
Termination	connection to PLC: 8-pole fem. connector (Binder Series 712), connection to PC: 4-pole fem. connector (Binder Series 707)

Errors and omissions exceptet