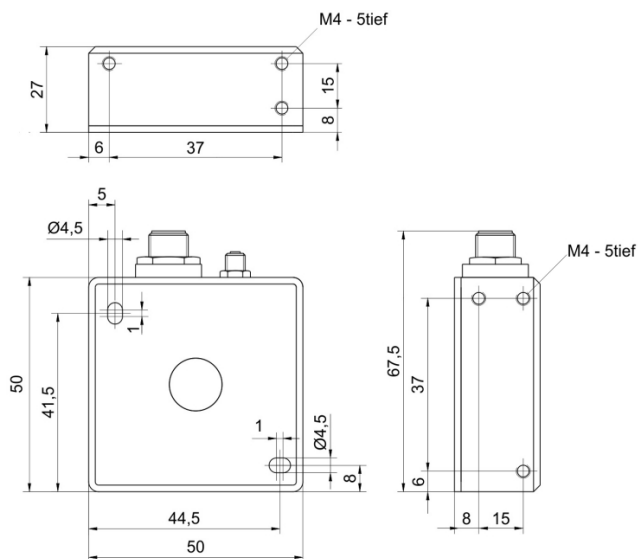


[Article Page](#)

Product Description



color sensor



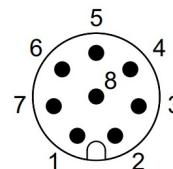
Name
Order number
Switch type

SPECTRO-3-DIL-SLA
08386149410

Signal Type
Illuminant
Connection
Polschema

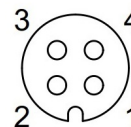
 analog
Analog Current/Voltage
 White light
Connector 8pin

SPS
Binder 713/163,
8 pol.



- 1 wh GND (0V)
- 2 bn +24V DC (±10%)
- 3 gn IN 0
- 4 ye OUT 0
- 5 gy OUT 1
- 6 pk OUT 2
- 7 bu OUT 3
- 8 rd OUT 4

PC
Binder 707, 4 pol.



- 1 +24V DC
- 2 GND (0V)
- 3 RxD
- 4 TxD

Dimension (in mm)
Technical Specification
Special features

Q 50 x 27 x 5

Operating voltage
No load current

Reduction of gloss effect due to diffuse illumination,
Color and gray scale detection
22,6 - 26,4 V DC
160 mA

Temperature drift	< 0,01 %/ °C
Repeat accuracy	+/- 1 Digit in the X, Y color range at 12-bit A/D conversion
Analog output	Pulso_has1, ANA OUT R (red), ANA OUT gG (green), ANA OUT B (blue) (Pin 6, 7 and 8): Voltage output 0...+10V or current output 4...20mA (R,G,B or X,Y,INT or s,i,M)
Natural extraneous light	5000 Lux in AC-mode
Artificial extraneous light	5000 Lux in AC-mode
Material of light outlet	Glas
Amplifying adjustable	8 fach/ 8-fold
Working range	from 5 to 50 mm
Overload protection	yes
Reverse voltage protection	yes
Protection category	IP64
EMC-level	DIN EN 60947-5-2
Housing material	Aluminum
Termination	connection to PLC: plug m12, 8 pole, connection to PC: 4-pole fem. connector (Binder Series 707)

Errors and omissions exceptet