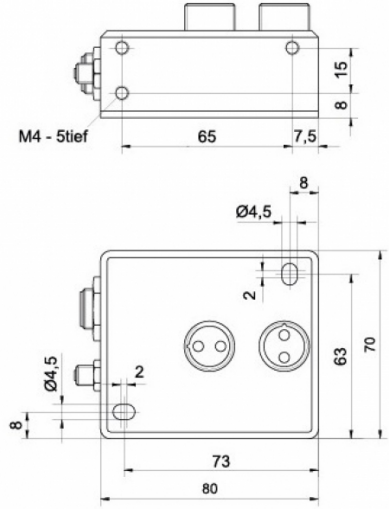


[Article Page](#)

Product Description

color sensor



Name
Order number
Switch type

SPECTRO-3-FIO-MSM-ANA
08386009510

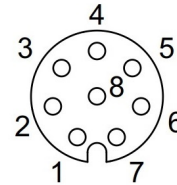
analog/digital
 White light

Illuminant
Connection

Socket

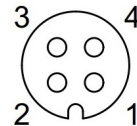
Polschema

SPS
Binder 712, 8 pol.



- 1 wh GND (0V)
- 2 bn +24V DC (±10%)
- 3 gn IN 0
- 4 ye OUT 0
- 5 gy OUT 1
- 6 pk OUT 2
- 7 bu OUT 3
- 8 rd OUT 4

PC
Binder 707, 4 pol.



- 1 +24V DC
 - 2 GND (0V)
 - 3 RxD
 - 4 TxD
- Q 70 x 36 x 80

Dimension (in mm)
Technical Specification
Special features
Signal type
Operating voltage
Max. load current
No load current

Big assortment of fiber optics available
Fibre-optic sensor
22,6 - 26,4 V DC
100 mA
160 mA

Temperature drift	< 0,01 %/ °C
Repeat accuracy	+/- 1 Digit in the X, Y color range at 12-bit A/D conversion
Analog output	Pulso_has1, OUT2, OUT3, OUT4 (Pin 6, 7, and 8): voltage output 0 ... +10V
Digital output	OUT0, OUT1 (Pin 4 and 5): digital (0V/+24V), npn-/pnp-able (bright-/dark-switching, can be switched)
Natural extraneous light	5000 Lux in AC-mode
Artificial extraneous light	5000 Lux in AC-mode
Amplifying adjustable	8 fach/ 8-fold
Working range	from 1 to 500 mm
Overload protection	yes
Reverse voltage protection	yes
Protection category	IP64
EMC-level	DIN EN 60947-5-2
Housing material	Aluminum
Termination	connection to PLC: plug m12, 8 pole, connection to PC: 4-pole fem. connector (Binder Series 707)

Errors and omissions exceptet