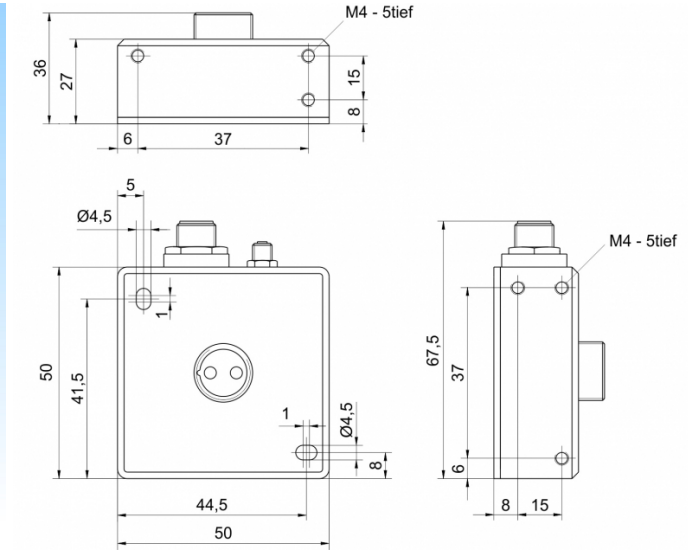


[Article Page](#)

Product Description



color sensor



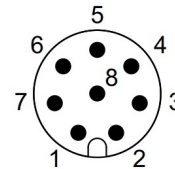
Name  
Order number  
Switch type

SPECTRO-3-FIO-SLA  
08386009410

Signal Type  
Illuminant  
Connection  
Polschema

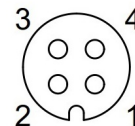
 analog  
Analog Current/Voltage  
 White light  
Connector 8pin

SPS  
Binder 713/163,  
8 pol.



- 1 wh GND (0V)
- 2 bn +24V DC (±10%)
- 3 gn IN 0
- 4 ye OUT 0
- 5 gy OUT 1
- 6 pk OUT2
- 7 bu OUT 3
- 8 rd OUT 4

PC  
Binder 707, 4 pol.



- 1 +24V DC
- 2 GND (0V)
- 3 RxD
- 4 TxD

Dimension (in mm)  
Technical Specification  
Special features

Q 50 x 27 (+9) x 50

Signal type  
Operating voltage

Big assortment of fiber optics available (reflected light or transmitted light operation)  
Fibre-optic sensor  
22,6 - 26,4 V DC

No load current	160 mA
Temperature drift	< 0,01 %/ °C
Repeat accuracy	+/- 1 Digit in the X, Y color range at 12-bit A/D conversion
Analog output	Pulso_has1, ANA OUT R (red), ANA OUT gG (green), ANA OUT B (blue) (Pin 6, 7 and 8): Voltage output 0...+10V or current output 4...20mA (R,G,B or X,Y,INT or s,i,M)
Natural extraneous light	5000 Lux in AC-mode
Artificial extraneous light	5000 Lux in AC-mode
Amplifying adjustable	8 fach/ 8-fold
Working range	from 1 to 500 mm
Overload protection	yes
Reverse voltage protection	yes
Protection category	IP64
EMC-level	DIN EN 60947-5-2
Housing material	Aluminum
Termination	connection to PLC: plug m12, 8 pole, connection to PC: 4-pole fem. connector (Binder Series 707)

**Errors and omissions exceptet**