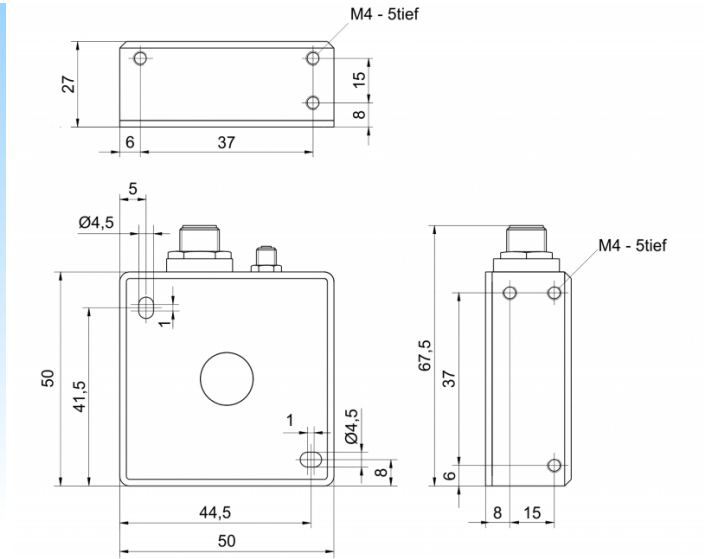


[Article Page](#)

Product Description

color sensor



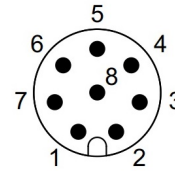
Name
Order number
Switch type

SPECTRO-3-POL-SLE
08386169910

Signal Type
Illuminant
Connection
Polschema

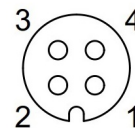
digital
PNP/NPN
 White light
Connector 8pin

SPS
Binder 713/163,
8 pol.



- 1 wh GND (0V)
- 2 bn +24V DC (±10%)
- 3 gn IN 0
- 4 ye OUT 0
- 5 gy OUT 1
- 6 pk OUT2
- 7 bu OUT 3
- 8 rd OUT 4

PC
Binder 707, 4 pol.



- 1 +24V DC
- 2 GND (0V)
- 3 RxD
- 4 TxD

Dimension (in mm)
Technical Specification
Special features

Q 50 x 27 x 50

Operating voltage
Max. load current

Polarisation filter (for very strong reduction of gloss effect), Color and gray scale detection
22,6 - 26,4 V DC
100 mA

No load current	160 mA
Switching frequency	35 kHz
Temperature drift	< 0,01 %/ °C
Repeat accuracy	+/- 1 Digit in the X, Y color range at 12-bit A/D conversion
Digital output	OUT 0 ... OUT 4, digital (0V/+Ub), 100 mA max. switching current npn, pnp-output available (bright-, dark-switching can be switched over)
Natural extraneous light	5000 Lux in AC-mode
Artificial extraneous light	5000 Lux in AC-mode
Material of light outlet	Glas
Impulse delay	einstellbar/ adjustable 0 ms ... 100 ms
Amplifying adjustable	8 fach/ 8-fold
Tolerance limit adjustable	ja
Working range	from 5 to 50 mm
Short-circuit proof	yes
Overload protection	yes
Reverse voltage protection	yes
Protection category	IP64 (Optik IP67)
EMC-level	DIN EN 60947-5-2
Housing material	Aluminum
Termination	connection to PLC: plug m12, 8 pole, connection to PC: 4-pole fem. connector (Binder Series 707)

Errors and omissions exceptet