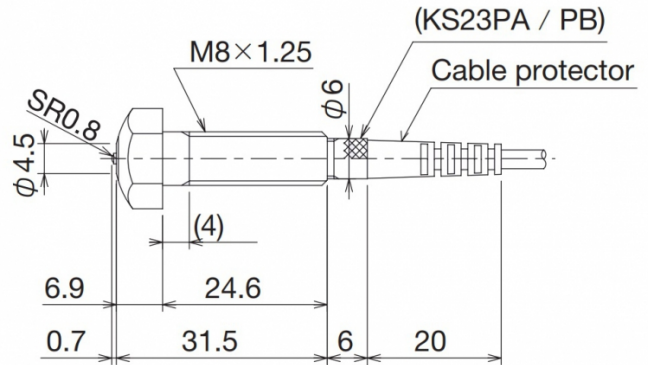


[Article Page](#)

Product Description


Software



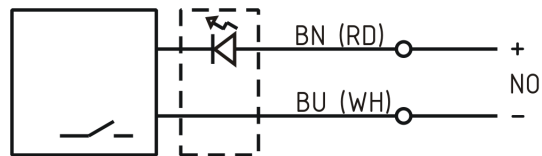
Name
Order number
Switch type

STE080PA-L
08430381002

Signal Type
Connection
Connection diagramm

 N.O.
mechanical contact
Cable 2m

Dimension (in mm)
art_gewicht
Technical Specification
Operating voltage
Max. load current
Switching hysteresis
Operating temperature
Temperature drift
Repeat accuracy



M8x1,25 x l = 38,2
38 g

Switching state
Stroke
Pre-travel
Accuracy
Probe tip
Probe tip material
Static load
Operation load
art_ttl_mech
Protection category
Wiring
Housing material
Termination
Approach direction

5 - 24 V DC
10 mA
0
0 ° C to 80 ° C
0
0,01 mm (at operating speed 50 ... 200 mm/min)
LED
0,7 mm
0,4 mm
0,01 mm
Zylinder 1,5/R 0,8
Edelstahl
5000 N
2 N
10 millions cycles
IP65
Zweidraht/ Two wire
Stainless steel V2A
cable 2m, 2 wire, Ø2.8 mm, oil resistant
axial

Errors and omissions exceptet