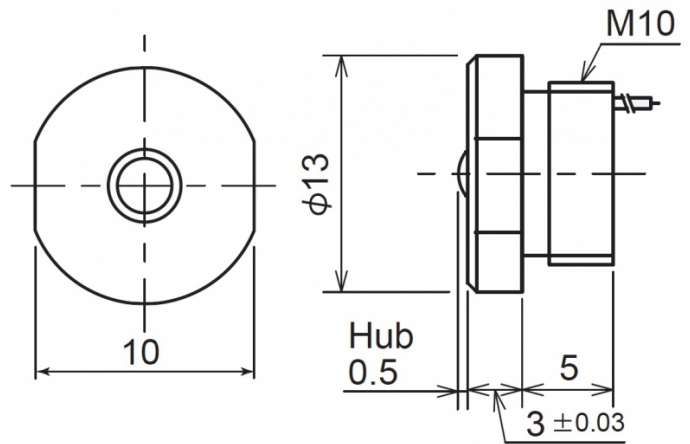
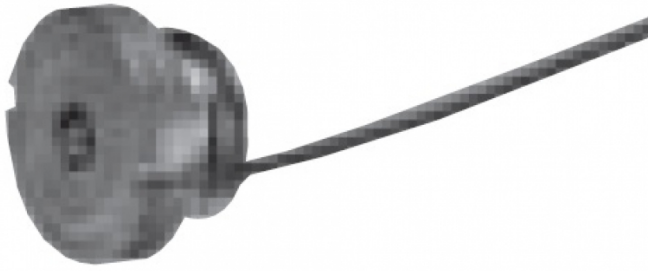


[Article Page](#)

Product Description


Touch Sensor




Name
Order number
Switch type

STM33A-L
08430411007

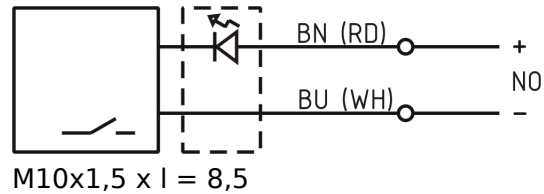
Signal Type
Connection

 N.O.
mechanical contact

Connection diagramm

 Cable

Dimension (in mm)
Technical Specification
Operating voltage
Max. load current
Switching hysteresis
Operating temperature
Temperature drift
Repeat accuracy



Switching state
Stroke
Pre-travel
Accuracy
Probe tip
Probe tip material
Static load
Operation load
art_ttl_mech
Protection category
Wiring
Housing material
Termination
Approach direction

5 - 24 V DC
10 mA
0
0 ° C to 80 ° C
0
0,01 mm (at operating speed 50 ... 200 mm/min)
LED
0,5 mm
0,25 mm
0,01 mm
Kegel 3/R 0,75
Edelstahl
1500 N
0,8 N
10 Mio. operating cycles
IP44
Zweidraht/ Two wire
Stainless steel V2A
2 single wires 0.5 m, Ø0.6 mm, oil resistant axial

Errors and omissions excepted