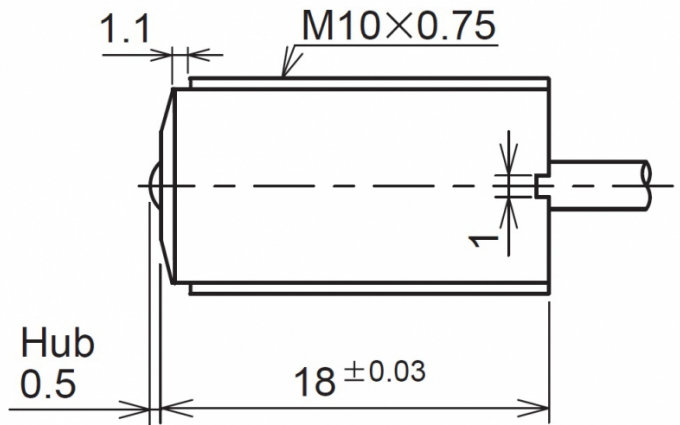


[Article Page](#)

Product Description




Touch Sensor

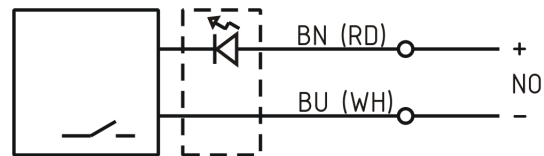


Name
Order number
Switch type

STM36A-L
08430411010

Signal Type
Connection
Connection diagramm

 N.O.
mechanical contact
Cable 2m



fine-pitch thread M10x0,75 x l = 18,5

Dimension (in mm)
Technical Specification
Operating voltage
Max. load current
Switching hysteresis
Operating temperature
Temperature drift
Repeat accuracy

5 - 24 V
10 mA
0
0 ° C to 80 ° C
0
0,01 mm (at operating speed 50 ... 200 mm/
min)

Switching state
Stroke
Pre-travel
Accuracy
Probe tip
Probe tip material
Static load
Operation load
art_ttl_mech
Protection category
Wiring
Housing material
Termination
Approach direction

LED
0,5 mm
0,25 mm
0,01 mm
Kugel 3
Edelstahl
1500 N
0,8 N
10 Mio. operating cycles
IP44
Zweidraht/ Two wire
Stainless steel V2A
cable 2m, 2 wire, Ø 2.8 mm, oil-resistant
axial or radial

Errors and omissions excepted