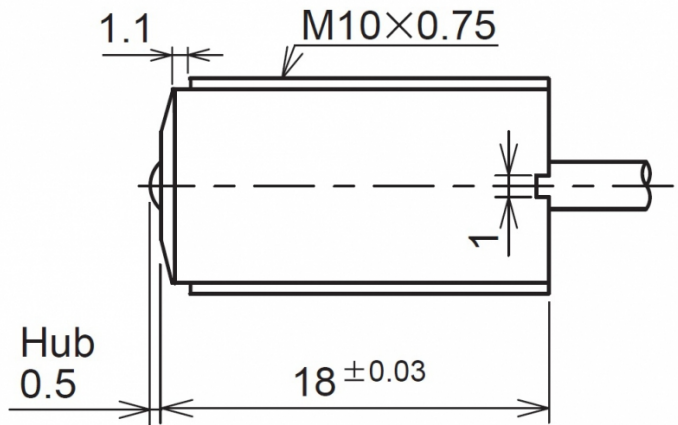


[Article Page](#)

Product Description




Touch Sensor

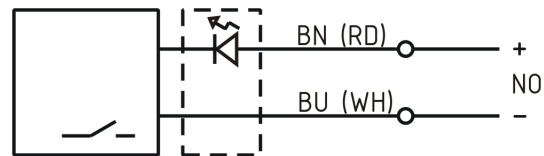


Name  
Order number  
Switch type

STM36A-L  
08430411010

Signal Type  
Connection  
Connection diagramm

 N.O.  
mechanical contact  
Cable 2m



fine-pitch thread M10x0,75 x l = 18,5

Dimension (in mm)  
Technical Specification  
Operating voltage  
Max. load current  
Switching hysteresis  
Operating temperature  
Temperature drift  
Repeat accuracy

5 - 24 V  
10 mA  
0  
0 ° C to 80 ° C  
0  
0,01 mm (at operating speed 50 ... 200 mm/min)

Switching state  
Stroke  
Pre-travel  
Accuracy  
Probe tip  
Probe tip material  
Static load  
Operation load  
art\_ttl\_mech  
Protection category  
Wiring  
Housing material  
Termination  
Approach direction

LED  
0,5 mm  
0,25 mm  
0,01 mm  
Kugel 3  
Edelstahl  
1500 N  
0,8 N  
10 Mio. operating cycles  
IP44  
Zweidraht/ Two wire  
Stainless steel V2A  
cable 2m, 2 wire, Ø 2.8 mm, oil-resistant  
axial or radial

**Errors and omissions exceptet**