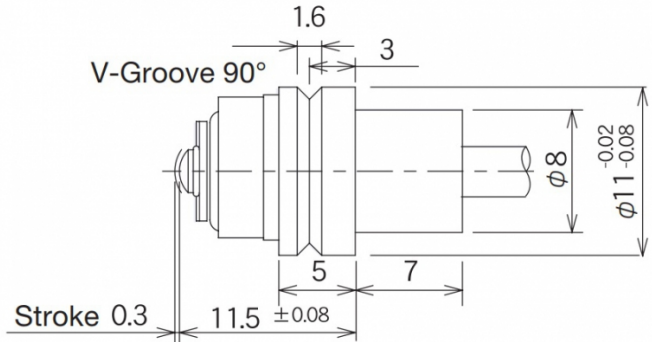


[Article Page](#)

Product Description

Touch Sensor




Name

STM64A-L

Order number

08430421004

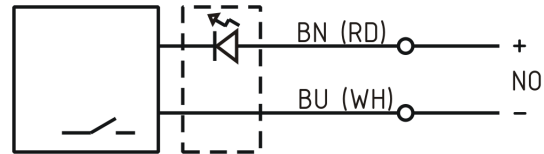
Switch type

 N.O.
mechanical contact
Cable 2m

Signal Type

Connection

Connection diagramm



Dimension (in mm)

D 11 x l = 18,8

Technical Specification

Operating voltage

5 - 24 V DC

Max. load current

10 mA

Switching hysteresis

0

Operating temperature

0 ° C to 80 ° C

Temperature drift

0

Repeat accuracy

0,01 mm (at operating speed 50 ... 200 mm/min)

Switching state

LED

Stroke

0,3 mm

Pre-travel

0,15 mm

Accuracy

0,01 mm

Probe tip

Zylinder 2/R 2,5

Probe tip material

Edelstahl

Static load

3000 N

Operation load

1 N

art_ttl_mech

10 Mio. operating cycles

Protection category

IP67

Wiring

Zweidraht/ Two wire

Housing material

Stainless steel V2A

Termination

cable 2m, 2 wire, Ø2.8 mm, oil resistant

Approach direction

axial

Errors and omissions exceptet