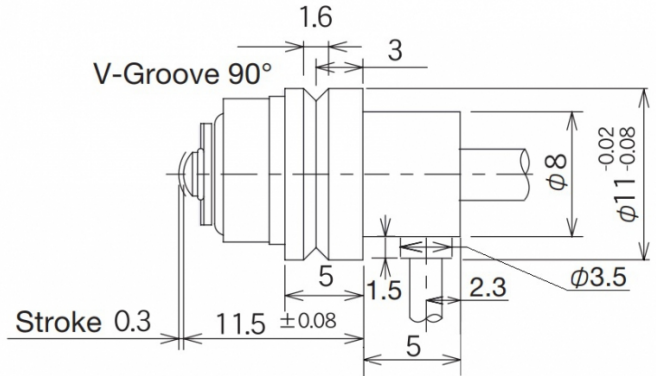


[Article Page](#)

Product Description


Touch Sensor

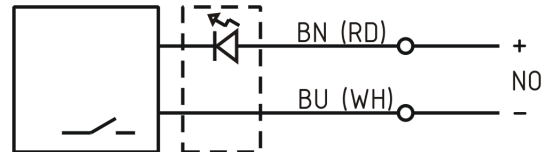


Name
Order number
Switch type

STM64A-LR
08430421024

Signal Type
Connection
Connection diagramm

 N.O.
mechanical contact
Cable 2m



Dimension (in mm)
Technical Specification
Operating voltage
Max. load current
Switching hysteresis
Operating temperature
Temperature drift
Repeat accuracy

D 11 x l = 18,8
5 - 24 V
10 mA
0
0 ° C to 80 ° C
0
0,01 mm (at operating speed 50 ... 200 mm/
min)

Switching state
Stroke
Pre-travel
Accuracy
Probe tip
Probe tip material
Static load
Operation load
art_ttl_mech
Protection category
Wiring
Housing material
Termination

LED
0,3 mm
0,15 mm
0,01 mm
Zylinder 2/R 2,5
Edelstahl
3000 N
1 N
10 Mio. operating cycles
IP67
Zweidraht/ Two wire
Stainless steel V2A
2 m Kabel, 2 adrig, seitlicher Abgang (90°), ϕ 2,8 mm, ölbeständig cable 2 m, 2 wire, sideways (90°), ϕ 2.8 mm, oil resistant

Errors and omissions exceptet