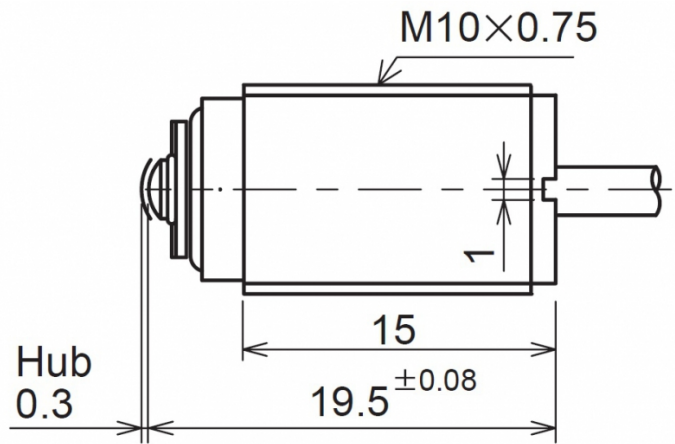


[Article Page](#)

Product Description


Touch Sensor

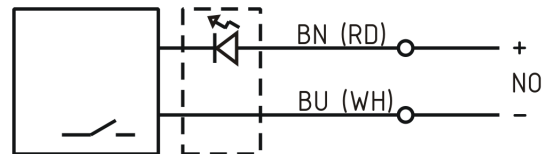


Name
Order number
Switch type

STM82A-L
08430421006

Signal Type
Connection
Connection diagramm

 N.O.
mechanical contact
Cable 2m



Dimension (in mm)
art_gewicht
Technical Specification
Operating voltage
Max. load current
Switching hysteresis
Operating temperature
Temperature drift
Repeat accuracy

fine-pitch thread M10x0,75 x l = 19,8
40 g
5 - 24 V DC
10 mA
0
0 ° C to 80 ° C
0
0,01 mm (at operating speed 50 ... 200
mm/min)

Switching state
Stroke
Pre-travel
Accuracy
Probe tip
Probe tip material
Static load
Operation load
art_ttl_mech
Protection category
Wiring
Housing material
Termination
Approach direction

LED
0,3 mm
0,15 mm
0,01 mm
Zylinder 2/R 2,5
Edelstahl
3000 N
1 N
10 Mio. operating cycles
IP67
Zweidraht/ Two wire
Stainless steel V2A
cable 2m, 2 wire, Ø2.8 mm, oil resistant
axial

Errors and omissions exceptet