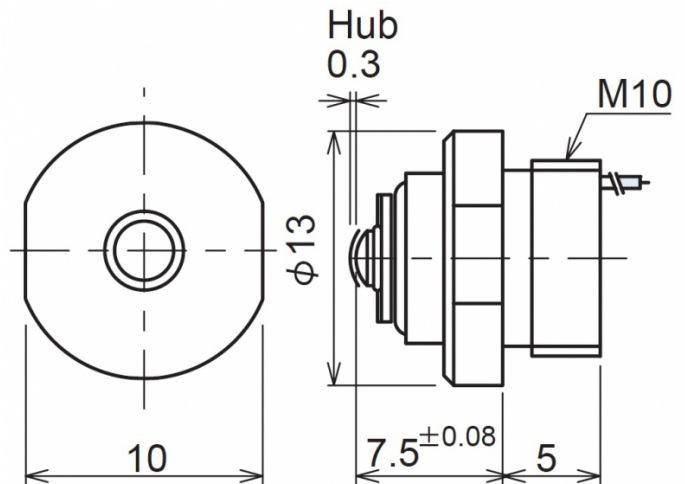


[Article Page](#)

Product Description


Touch Sensor




Name
Order number
Switch type

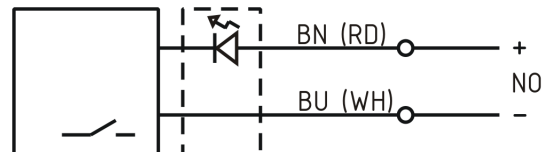
STM83A-L
08430421007

Signal Type
Connection

 N.O.
mechanical contact

Connection diagramm

 Cable



M10x1,5 x l = 12,8

Dimension (in mm)
Technical Specification
Operating voltage
Max. load current
Switching hysteresis
Operating temperature
Temperature drift
Repeat accuracy

5 - 24 V DC
10 mA
0
0 ° C to 80 ° C
0
0,01 mm (at operating speed 50 ... 200 mm/min)

Switching state
Stroke
Pre-travel
Accuracy
Probe tip
Probe tip material
Static load
Operation load
art_ttl_mech
Protection category
Wiring
Housing material
Termination
Approach direction

LED
0,3 mm
0,15 mm
0,01 mm
Zylinder 2/R 2,5
Edelstahl
3000 N
1 N
10 Mio. operating cycles
IP67
Zweidraht/ Two wire
Stainless steel V2A
2 single wires 0.5 m, Ø0.6 mm, oil resistant
axial

Errors and omissions exceptet