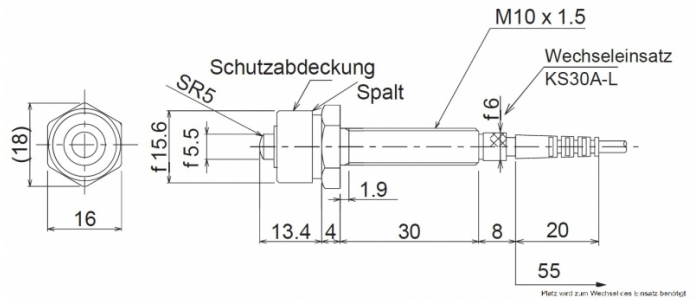


Touch Sensor



Name

STP100UA-L

Order number

08430331004

Switch type

N.O.

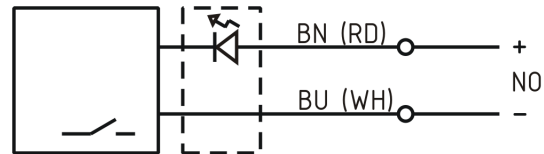
Signal Type

mechanical contact

Connection

Cable 2m

Connection diagramm



Dimension (in mm)

fine-pitch thread M10x1,5 x l = 55,4

art\_gewicht

90 g

Technical Specification

Operating voltage

5 - 24 V

Max. load current

10 mA

Switching hysteresis

0

Operating temperature

0 ° C to 80 ° C

Temperature drift

0

Repeat accuracy

0,01 mm (at operating speed 50 ... 200 mm/min)

Switching state

LED

Stroke

0,7 mm

Pre-travel

0,35 mm

Accuracy

0,01 mm

Probe tip

Zylinder 5,5/R 5

Probe tip material

Edelstahl

Static load

5000 N

Operation load

4 N

art\_ttl\_mech

10 Mio. operating cycles

Protection category

IP67

Wiring

Zweidraht/ Two wire

Housing material

Stainless steel V2A

Termination

cable 2m, 2 wire, Ø2.8 mm, oilresistant

Approach direction

axial

**Errors and omissions exceptet**