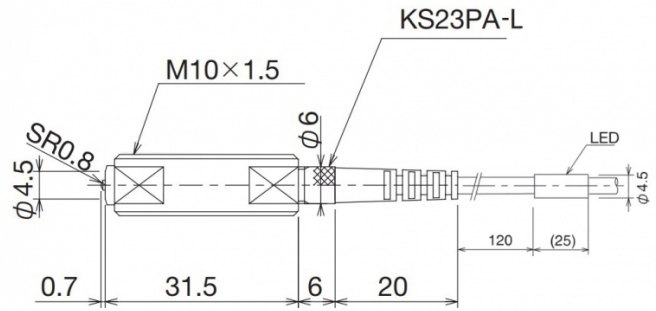


[Article Page](#)

Product Description

Touch Sensor




Name

STS100PA-L

Order number

08430371006

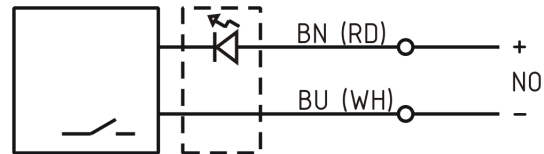
Switch type

 N.O.
mechanical contact
Cable 2m

Signal Type

Connection

Connection diagramm



Dimension (in mm)

fine-pitch thread M10x1,5 x l = 38,2

art_gewicht

90 g

Technical Specification

Operating voltage

5 - 24 V DC

Max. load current

10 mA

Switching hysteresis

0

Operating temperature

0 ° C to 80 ° C

Temperature drift

0

Repeat accuracy

0,01 mm (at operating speed 50 ... 200 mm/min)

Switching state

LED

Stroke

0,7 mm

Pre-travel

0,4 mm

Accuracy

0,01 mm

Probe tip

Zylinder 1,5/R 0,8

Probe tip material

Edelstahl

Static load

5000 N

Operation load

2 N

art_ttl_mech

10 million cycles

Protection category

IP65

Wiring

Zweidraht/ Two wire

Housing material

Stainless steel V2A

Termination

cable 2m, 2 wire, Ø2.8 mm, oilresistant

Approach direction

axial

Errors and omissions exceptet