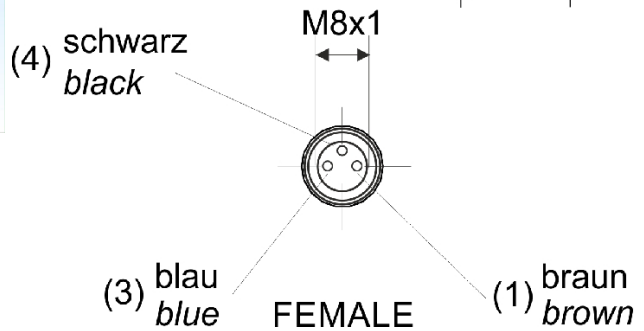
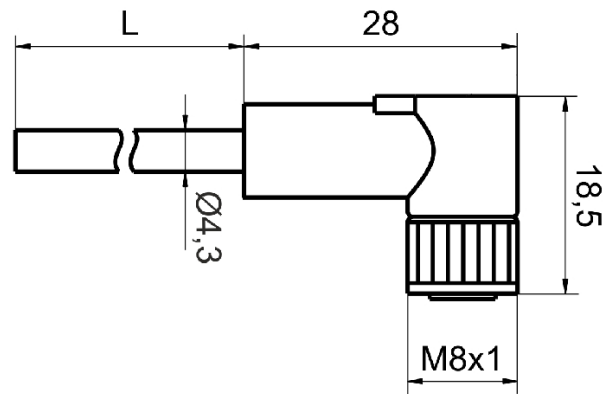
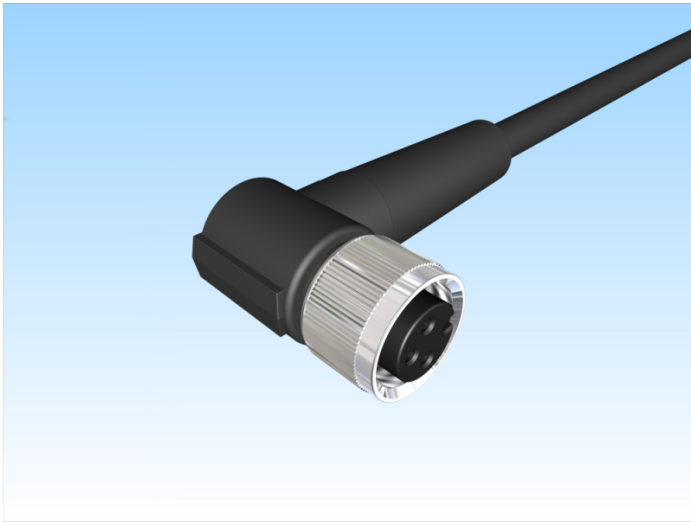


[Article Page](#)

Product Description

connector M8



Name

V1-3/W/P/2m

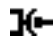
Order number

44505125610

Matchcode

9512-5610

Connection

 Socket
gewinkelt

Leaving

Technical Specification

Special features

Flexible cable conduit capable

Silicone-free

Signal type

connector

Operating temperature

-25 ° C to 80 ° C

Protection category

IP 68

Cable

offen

Number of terminals

3

Rated operating current at 40° C

4 A

Rated operating voltage

60 V

Contact resistance

≤ 5 mΩ

Isolation resistance

≥ 100 MΩ

Cable length

2 m

Allgemeine Kennwerte

3

Utilisation category

≥ 100

Contact durability

Contact material

CuSn

Contact surface material

Ni/Au

Contact holder

TPU

Shell type material

TPU

Knurled nut material

Zinkdruckguss

Sealing material

NBR

Kennwerte Leitung

Cable material

PUR

Cover material

LiYY-11Y

Wire isolation material

PVC

Wire material	Cu Litze
Wiring diameter	3x0,25
Signal wire structure	32x0,10mm
Conductor diameter	1,32 mm \pm 0,02 mm
Outer cover diameter	4,40 mm \pm 0,2 mm
Conductor colour	braun, blau, schwarz
Cover colour	schwarzgrau RAL 7021
Wire resistance	max. 77,6 Ω /km
Nominal operating voltage	300 V
Test voltage unit	2500
Flame-retardant	nach UL-Style 20549
Halogen-free	nach DIN VDE 0472 Teil 815
Oil-resistant	nach DIN EN 60811-2-1
Other resistances	Highly resistant to acids, alkaline solutions and solvents, hydrolysis and microbe resistant

Errors and omissions exceptet