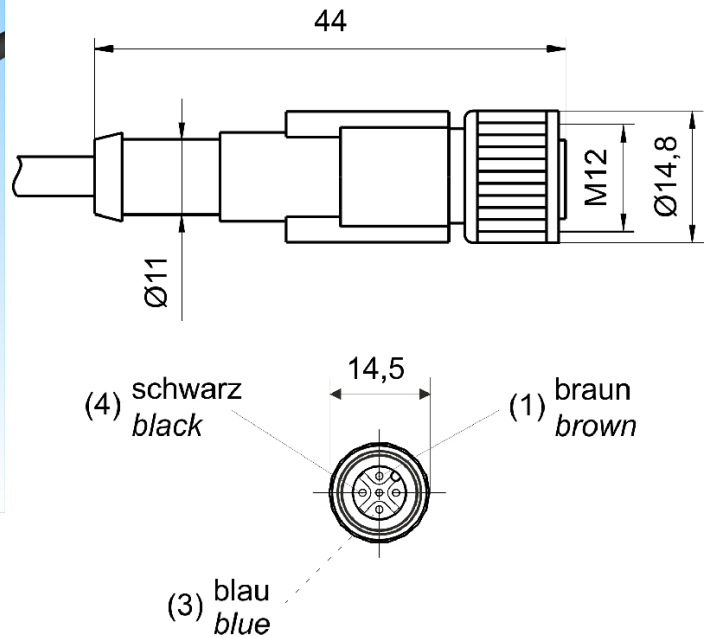


[Article Page](#)


Product Description

connector M12



Name  
Order number  
Matchcode  
art\_schaltabstand\_einstellbar  
Connection

V2-3/P/10m  
44505125217  
9512-5217  
yes

 Socket  
gerade

Leaving  
Technical Specification  
Special features

Flexible cable conduit capable

Silikone-free

Max. load current  
Operating temperature  
Protection category  
Wiring  
Cable  
Number of terminals  
Contact resistance  
Isolation resistance  
Cable length  
Utilisation category  
Contact durability  
Contact material  
Contact surface material  
Contact holder  
Shell type material  
Knurled nut material  
Sealing material  
Cable material  
Cover material  
Wire isolation material  
Wire material  
Wiring diameter  
Signal wire structure  
Conductor diameter

4 A  
-25 ° C to 80 ° C  
IP 68  
Nein  
offen  
3  
≤ 5 mΩ  
≥ 100 MΩ  
10 m  
3  
≥ 100  
CuSn  
Ni/Au  
PUR  
PUR  
Messing vernickelt  
NBR  
PUR  
Li9Y11Y  
TPM  
Cu Litze  
0.34  
42x 0,10mm  
1,27 mm 0,02 mm

Outer cover diameter	4,30 mm ± 0,2 mm
Conductor colour	braun, blau, schwarz
Cover colour	schwarz
Wire resistance	max. 58Ω/km
Nominal operating voltage	≤ 24 V
Test voltage unit	3000
Flame-retardant	nach UL-Style 20549
Halogen-free	nach DIN VDE 0472 Teil 815
Oil-resistant	nach DIN EN 60811-2-1
Other resistances	Highly resistant to acids, alkaline solutions and solvents, hydrolysis and microbe resistant

**Errors and omissions exceptet**