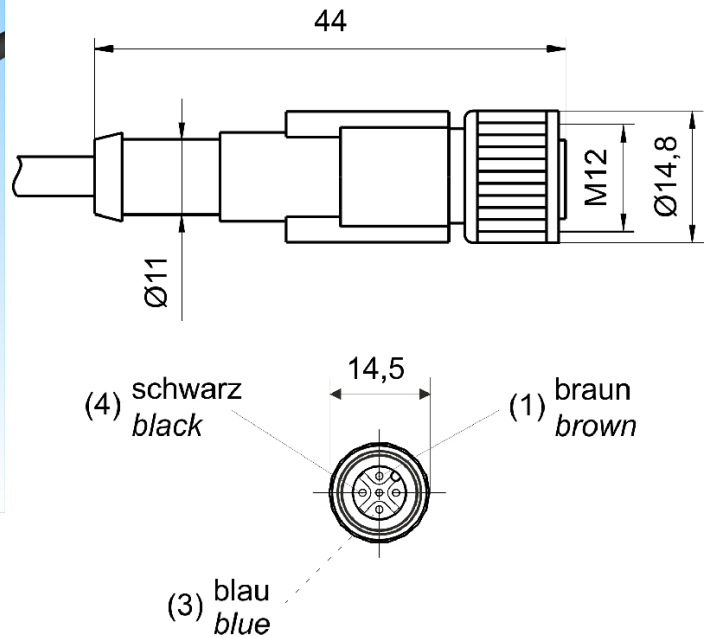


[Article Page](#)

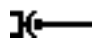
Product Description

connector M12



Name
Order number
Matchcode
art_schaltabstand_einstellbar
Connection

V2-3/P/2m
44505125210
9512-5210
yes

 Socket
gerade

Leaving
Technical Specification
Special features

Flexible cable conduit capable

Silikone-free

Signal type
Max. load current
Operating temperature
Protection category
Wiring
Cable
Number of terminals
Contact resistance
Isolation resistance
Cable length
Allgemeine Kennwerte
Utilisation category
Contact durability
Contact material
Contact surface material
Contact holder
Shell type material
Knurled nut material
Sealing material
Kennwerte Leitung
Cable material
Cover material
Wire isolation material
Wire material

connector
4 A
-25 ° C to 80 ° C
IP 68
Nein
offen
3
≤ 5 mΩ
≥ 100 MΩ
2 m

3
≥ 100
CuSn
Ni/Au
PUR
PUR
Messing vernickelt
NBR

PUR
Li9Y11Y
TPM
Cu Litze

Wiring diameter	0.34
Signal wire structure	42x 0,10mm
Conductor diameter	1,27 mm 0,02 mm
Outer cover diameter	4,30 mm ± 0,2 mm
Conductor colour	braun, blau, schwarz
Cover colour	schwarz
Wire resistance	max. 58Ω/km
Nominal operating voltage	≤ 24 V
Test voltage unit	3000
Flame-retardant	nach UL-Style 20549
Halogen-free	nach DIN VDE 0472 Teil 815
Oil-resistant	nach DIN EN 60811-2-1
Other resistances	Highly resistant to acids, alkaline solutions and solvents, hydrolysis and microbe resistant

Errors and omissions exceptet