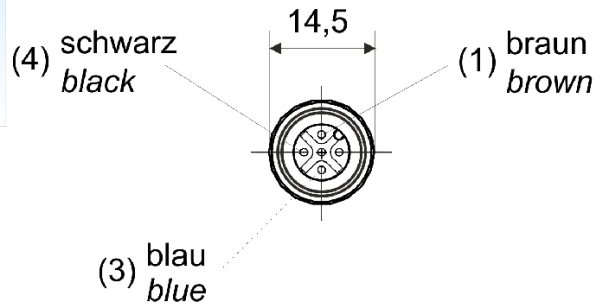
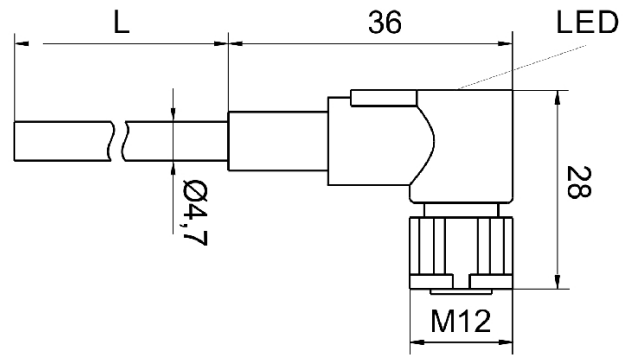


[Article Page](#)

Product Description

connector M12



Name	V2-3/W/PNP/2L/2m
Order number	44505126300
Matchcode	9512-6300
Connection	
Leaving	
Technical Specification	
Signal type	connector
Operating temperature	-25 ° C to 80 ° C
Operating state	LED
Switching state	LED
Protection category	IP 68
Cable	offen
Number of terminals	3
Rated operating current at 40° C	4 A
Rated operating voltage	24 V
Contact resistance	≤ 5 mΩ
Isolation resistance	≥ 100 MΩ
Cable length	2 m
Allgemeine Kennwerte	
Utilisation category	3
Contact durability	≥ 100
Contact material	CuSn
Contact surface material	Ni/Au
Contact holder	TPU GF
Shell type material	TPU
Knurled nut material	Zinkdruckguss
Sealing material	NBR
Kennwerte Leitung	
Cable material	PVC schwarz
Cover material	LiYY
Wire isolation material	PVC
Wire material	Cu Litze
Wiring diameter	3x0,34
Signal wire structure	19x0,15mm

 Socket
gewinkelt

V2-3/W/PNP/2L/2m

Pulsotronic GmbH & Co. KG Neue Schichtstraße 14b 09366 Niederdorf Deutschland +49 (0)37296 930-200

Conductor diameter	1,26 mm \pm 0,05 mm
Outer cover diameter	4,30 mm \pm 0,2 mm
Conductor colour	braun, blau, schwarz
Cover colour	schwarz
Wire resistance	max. 57 Ω /km
Nominal operating voltage	300 V
Test voltage unit	3000
Flame-retardant	nach UL-Style 2464
Halogen-free	nach DIN VDE 0472 Teil 815
Oil-resistant	nach DIN EN 60811-2-1
Other resistances	Highly resistant to acids, alkaline solutions and solvents, hydrolysis and microbe resistant

Errors and omissions excepted