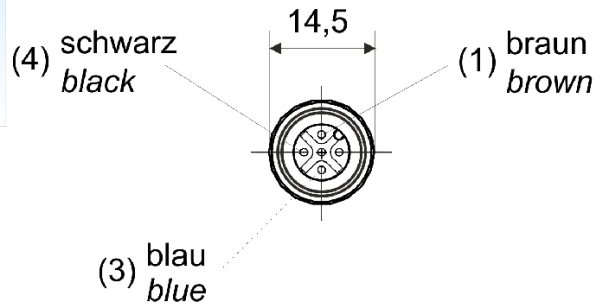
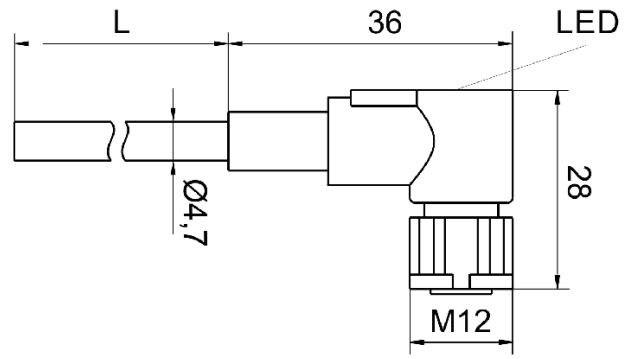


[Article Page](#)

Product Description

connector M12



Name	V2-3/W/P/NPN/2L/2m
Order number	44505125810
Matchcode	9512-5810
Connection	
Leaving	
Technical Specification	
Special features	
Signal type	
Operating temperature	
Protection category	
Cable	
Number of terminals	
Rated operating current at 40° C	
Rated operating voltage	
Contact resistance	
Isolation resistance	
Cable length	
Allgemeine Kennwerte	
Utilisation category	
Contact durability	
Contact material	
Contact surface material	
Contact holder	
Shell type material	
Knurled nut material	
Sealing material	
Kennwerte Leitung	
Cable material	
Cover material	
Wire isolation material	
Wire material	
Wiring diameter	
Signal wire structure	

V2-3/W/P/NPN/2L/2m
44505125810
9512-5810

 Socket
gewinkelt

Silicone-free
NPN-connection
connector
-25 ° C to 80 ° C
IP 67
offen
3
4 A
24 V
≤ 5 mΩ
≥ 100 MΩ
2 m

3
≥ 100
CuSn
Ni/Au
TPU
TPU
Messing vernickelt
NBR

PUR
Li9Y11Y
PP
Cu Litze
3x0,34
42x0,10mm

Conductor diameter	1,27 mm 0,02 mm
Outer cover diameter	4,40 mm mm
Conductor colour	braun, blau, schwarz
Cover colour	schwarzgrau RAL 7021
Wire resistance	max. 58Ω/km
Nominal operating voltage	24 V
Test voltage unit	3000
Flame-retardant	nach UL-Style 20549
Halogen-free	nach DIN VDE 0472 Teil 815
Oil-resistant	nach DIN EN 60811-2-1
Other resistances	Highly resistant to acids, alkaline solutions and solvents, hydrolisis and microbe resistant

Errors and omissions exceptet