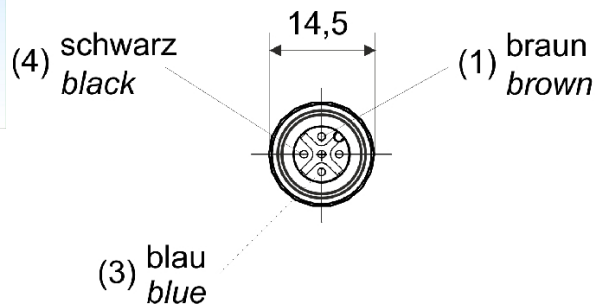
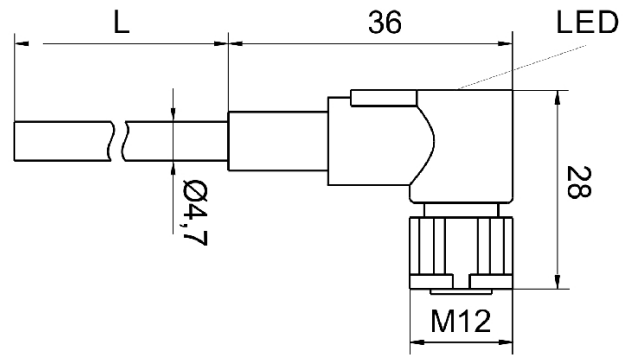


[Article Page](#)

Product Description

connector M12



Name  
 Order number  
 Matchcode  
 Connection

Leaving  
 Technical Specification  
 Special features

Signal type  
 Operating temperature  
 Protection category  
 Cable  
 Number of terminals  
 Rated operating current at 40° C  
 Rated operating voltage  
 Contact resistance  
 Isolation resistance  
 Cable length  
 Utilisation category  
 Contact durability  
 Contact material  
 Contact surface material  
 Contact holder  
 Shell type material  
 Knurled nut material  
 Sealing material  
 Cable material  
 Cover material  
 Wire isolation material  
 Wire material  
 Wiring diameter  
 Signal wire structure  
 Conductor diameter  
 Outer cover diameter

V2-3/W/P/NPN/2L/5m  
 44505125812  
 9512-5812

Socket  
 gewinkelt

Silicone-free  
 NPN-connection  
 connector  
 -25 ° C to 80 ° C

IP 67  
 offen  
 3  
 4 A  
 24 V  
 ≤ 5 mΩ  
 ≥ 100 MΩ  
 5 m  
 3  
 ≥ 100  
 CuSn  
 Ni/Au  
 TPU  
 TPU  
 Messing vernickelt  
 NBR  
 PUR  
 Li9Y11Y  
 PP  
 Cu Litze  
 3x0,34  
 42x0,10mm  
 1,27 mm 0,02 mm  
 4,40 mm mm

Conductor colour	braun, blau, schwarz
Cover colour	schwarzgrau RAL 7021
Wire resistance	max. 58Ω/km
Nominal operating voltage	24 V
Test voltage unit	3000
Flame-retardant	nach UL-Style 20549
Halogen-free	nach DIN VDE 0472 Teil 815
Oil-resistant	nach DIN EN 60811-2-1
Other resistances	Highly resistant to acids, alkaline solutions and solvents, hydrolysis and microbe resistant

**Errors and omissions exceptet**