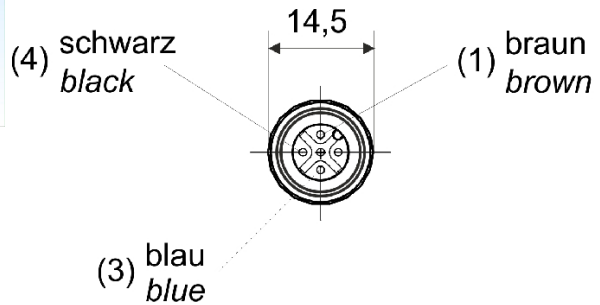
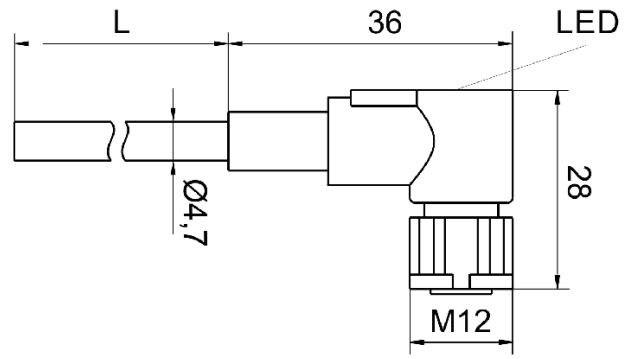


[Article Page](#)

Product Description

connector M12



Name

V2-3/W/P/PNP/2L/2m

Order number

44505126310

Matchcode

9512-6310

Connection

 Socket
gewinkelt

Leaving

Technical Specification

Special features

Flexible cable conduit capable

Silicon-free

Signal type

connector

Max. load current

4 A

Operating temperature

-25 ° C to 80 ° C

Operating state

LED

Switching state

LED

Cable

offen

Number of terminals

3

Contact resistance

≤ 5 mΩ

Isolation resistance

≥ 100 MΩ

Cable length

2 m

Allgemeine Kennwerte

Utilisation category

3

Contact durability

≥ 100

Contact material

CuSn

Contact surface material

Ni/Au

Contact holder

PUR

Shell type material

PUR

Knurled nut material

Messing verncikelt

Sealing material

NBR

Kennwerte Leitung

Cable material

PUR

Cover material

Li9Y11Y

Wire isolation material

TPM

Wire material

Cu Litze

Wiring diameter	3x0,34
Signal wire structure	42x0,10mm
Conductor diameter	1,27 mm 0,02 mm
Outer cover diameter	4,30 mm ± 0,2 mm
Conductor colour	braun, blau, schwarz
Cover colour	schwarz
Wire resistance	max. 58Ω/km
Nominal operating voltage	24 V
Test voltage unit	3000 V
Flame-retardant	nach UL-Style 20549
Halogen-free	nach DIN VDE 0472 Teil 815
Oil-resistant	nach DIN EN 60811-2-1
Other resistances	Highly resistant to acids, alkaline solutions and solvents, hydrolysis and microbe resistant

Errors and omissions exceptet