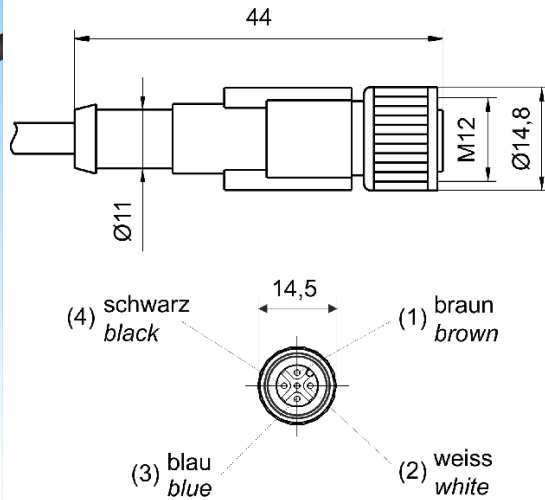


[Article Page](#)

Product Description

connector M12

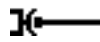


Name  
 Order number  
 Matchcode  
 Connection

Leaving  
 Technical Specification  
 Special features

Signal type  
 Max. load current  
 Operating temperature  
 Protection category  
 Cable  
 Number of terminals  
 Contact resistance  
 Isolation resistance  
 Cable length  
 Utilisation category  
 Contact durability  
 Contact material  
 Contact surface material  
 Contact holder  
 Shell type material  
 Knurled nut material  
 Sealing material  
 Cable material  
 Cover material  
 Wire isolation material  
 Wire material  
 Wiring diameter  
 Signal wire structure  
 Conductor diameter  
 Outer cover diameter  
 Conductor colour  
 Cover colour  
 Wire resistance  
 Nominal operating voltage

V2-4/P/10m  
 44505125317  
 9512-5317

 Socket  
 gerade

Flexible cable conduit capable

Silicone-free

connector  
 4 A  
 -25 ° C to 80 ° C  
 IP 68  
 offen  
 4  
 $\leq 5 \text{ m}\Omega$   
 $\geq 1 \text{ M}\Omega$   
 10 m  
 3  
 $\geq 100$   
 CuSn  
 Ni/Au  
 PUR  
 PUR  
 Messing vernickelt  
 NBR  
 PUR  
 Li9Y11Y  
 TPM  
 Cu Litze  
 4x0,34  
 42x0,10mm  
 1,27 mm 0,02 mm  
 4,7 mm  $\pm$  0,2 mm  
 braun, weiss, blau, schwarz  
 schwarz  
 max. 58 $\Omega$ /km  
 $\leq 24 \text{ V}$

Test voltage unit  
Flame-retardant  
Halogen-free  
Oil-resistant  
Other resistances

≥ 3000  
nach UL-Style 20549  
nach DIN VDE 0472 Teil 815  
nach DIN EN 60811-2-1  
Highly resistant to acids, alkaline solutions and  
solvents, hydrolysis and microbe resistant

**Errors and omissions excepted**