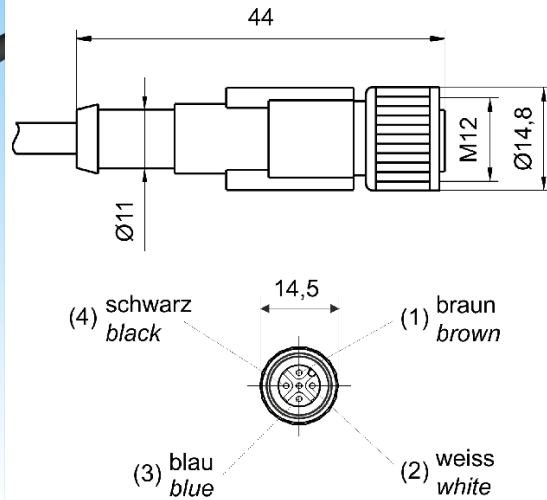


[Article Page](#)

Product Description

connector M12



Name

V2-4/P/2m


Order number

44505125310

Matchcode

9512-5310

Connection

 Socket
gerade

Leaving

Technical Specification

Special features

Flexible cable conduit capable

Silicone-free

Signal type

connector

Max. load current

4 A

Operating temperature

-25 ° C to 80 ° C

Protection category

IP 68

Cable

offen

Number of terminals

4

Contact resistance

≤ 5 mΩ

Isolation resistance

≥ 1 MΩ

Cable length

2 m

Allgemeine Kennwerte

Utilisation category

3

Contact durability

≥ 100

Contact material

CuSn

Contact surface material

Ni/Au

Contact holder

PUR

Shell type material

PUR

Knurled nut material

Messing vernickelt

Sealing material

NBR

Kennwerte Leitung

Cable material

PUR

Cover material

Li9Y11Y

Wire isolation material

TPM

Wire material

Cu Litze

Wiring diameter

4x0,34

Signal wire structure

42x0,10mm

Conductor diameter

1,27 mm 0,02 mm

Outer cover diameter

4,7 mm ± 0,2 mm

Conductor colour

braun, weiß, blau, schwarz

Cover colour

schwarz

Wire resistance	max. 58Ω/km
Nominal operating voltage	≤ 24 V
Test voltage unit	≥ 3000
Flame-retardant	nach UL-Style 20549
Halogen-free	nach DIN VDE 0472 Teil 815
Oil-resistant	nach DIN EN 60811-2-1
Other resistances	Highly resistant to acids, alkaline solutions and solvents, hydrolysis and microbe resistant

Errors and omissions excepted