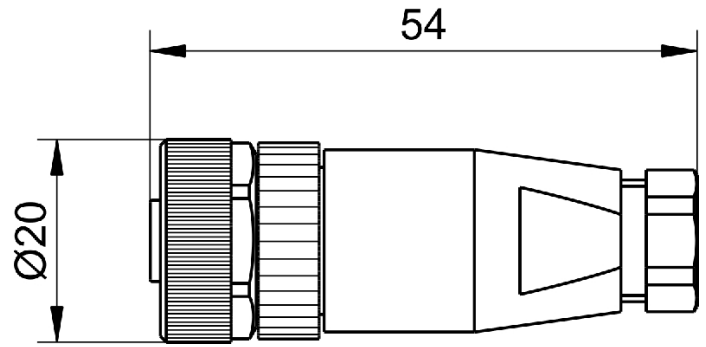


[Article Page](#)

Product Description

connector M12 self assembled




Name

V2-4/PG7

Order number

44505132800

Connection

 Socket
gerade

Leaving

selbstkonfektionierbar

Technical Specification

Cable

4

Number of terminals

Rated operating current at 40° C

4 A

Rated operating voltage

250 V

Contact resistance

$\leq 8 \text{ m}\Omega$

Isolation resistance

$\geq 100 \text{ M}\Omega$

Allgemeine Kennwerte

3

Utilisation category

Contact material

CuZn

Contact surface material

CuSnZn

Contact holder

PA

Shell type material

PBT

Knurled nut material

Zinkdruckguss

Sealing material

NBR

Kennwerte Leitung

Errors and omissions excepted