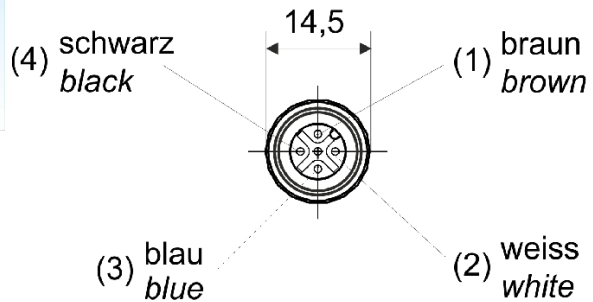
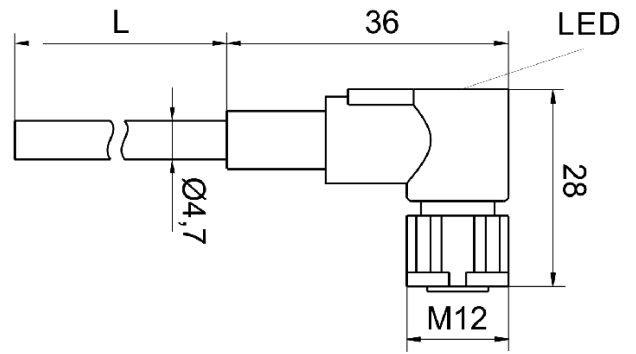



[Article Page](#)

Product Description

connector M12



Name	V2-4/W/P/NPN/2L/2m
Order number	44505124010
Matchcode	9512-4010
Connection	
Leaving	 Socket
Technical Specification	gewinkelt
Special features	Silicone-free
Signal type	NPN-connection
Operating temperature	connector
Operating state	-25 ° C to 80 ° C
Switching state	LED
Cable	LED
Number of terminals	offen
Rated operating current at 40° C	4
Rated operating voltage	4 A
Contact resistance	24 V
Isolation resistance	≤ 5 mΩ
Cable length	≥ 100 MΩ
Allgemeine Kennwerte	2 m
Utilisation category	3
Contact durability	≥ 100
Contact material	CuSn
Contact surface material	Ni/Au
Contact holder	TPU
Shell type material	TPU
Knurled nut material	Zinkdruckguss
Sealing material	NBR
Kennwerte Leitung	
Cable material	PUR
Cover material	Li9Y11Y
Wire isolation material	PP
Wire material	Cu Litze
Wiring diameter	4x0,34

Signal wire structure	42x0,10mm
Conductor diameter	1,27 mm 0,02 mm
Outer cover diameter	4,7 mm 0,15 mm
Conductor colour	braun, weiß, blau, schwarz
Cover colour	schwarzgrau RAL 7021
Wire resistance	max. 58Ω/km
Nominal operating voltage	≤ 24 V
Test voltage unit	≥ 3000
Flame-retardant	nach UL-Style 20549
Halogen-free	nach DIN VDE 0472 Teil 815
Oil-resistant	nach DIN EN 60811-2-1
Other resistances	Highly resistant to acids, alkaline solutions and solvents, hydrolisis and microbe resistant

Errors and omissions exceptet