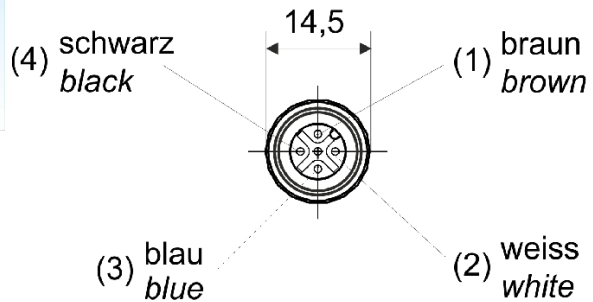
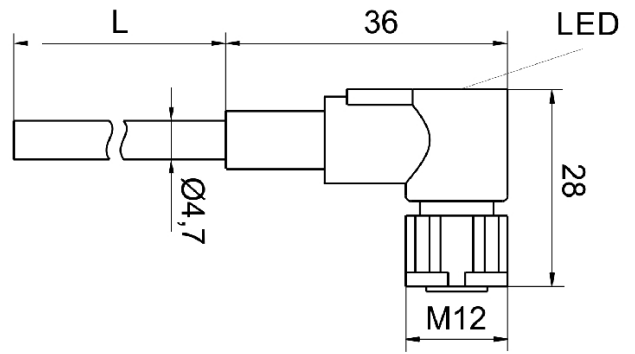


[Article Page](#)

Product Description

connector M12



Name

V2-4/W/P/PNP/2L/2m

Order number

44505125410

Matchcode

9512-5410

Connection

K Socket
gewinkelt

Leaving

Technical Specification

Special features

Flexible cable conduit capable

Silicone-free

Signal type

connector

Operating temperature

-25 ° C to 80 ° C

Operating state

LED

Switching state

LED

Cable

offen

Number of terminals

4

Rated operating current at 40° C

4 A

Rated operating voltage

24 V

Contact resistance

≤ 5 mΩ

Isolation resistance

≥ 1 GΩ

Cable length

2 m

Allgemeine Kennwerte

Utilisation category

3

Contact durability

≥ 100

Contact material

CuSn

Contact surface material

Ni/Au

Contact holder

TPU

Shell type material

TPU

Knurled nut material

Zinkdruckguss

Sealing material

NBR

Kennwerte Leitung

Cable material

PUR

Cover material

LiYY-11Y

Wire isolation material

PVC

Wire material	Cu Litze
Wiring diameter	4x0,34
Signal wire structure	42x0,10mm
Conductor diameter	1,5 mm ± 0,05 mm
Outer cover diameter	5,2 mm ± 0,2 mm mm
Conductor colour	braun, weiß, blau, schwarz
Cover colour	schwarz
Wire resistance	max. 58Ω/km
Nominal operating voltage	≤ 300 V
Test voltage unit	≥ 3000
Flame-retardant	nach UL-Style 20549
Halogen-free	nach DIN VDE 0472 Teil 815
Oil-resistant	nach DIN EN 60811-2-1
Other resistances	Highly resistant to acids, alkaline solutions and solvents, hydrolisis and microbe resistant
Notes	Kodierung: A-Standard

Errors and omissions exceptet