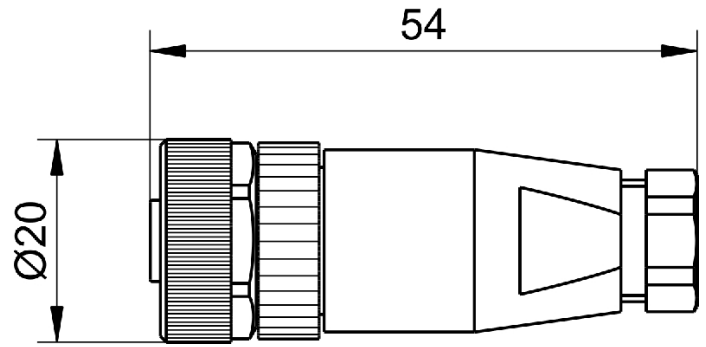


[Article Page](#)

Product Description

connector M12 self assembled




Name

V2-5/PG7

Order number

44505160900

Connection

 Socket
gerade

Leaving

selbstkonfektionierbar

Technical Specification

Cable

5

Number of terminals

Rated operating current at 40° C

4 A

Rated operating voltage

250 V

Contact resistance

≤ 8 mΩ

Isolation resistance

≥ 100 MΩ

Allgemeine Kennwerte

3

Utilisation category

Contact material

CuZn

Contact surface material

CuSnZn

Contact holder

PA

Shell type material

PBT

Knurled nut material

Zinkdruckguss

Sealing material

NBR

Kennwerte Leitung

Errors and omissions excepted