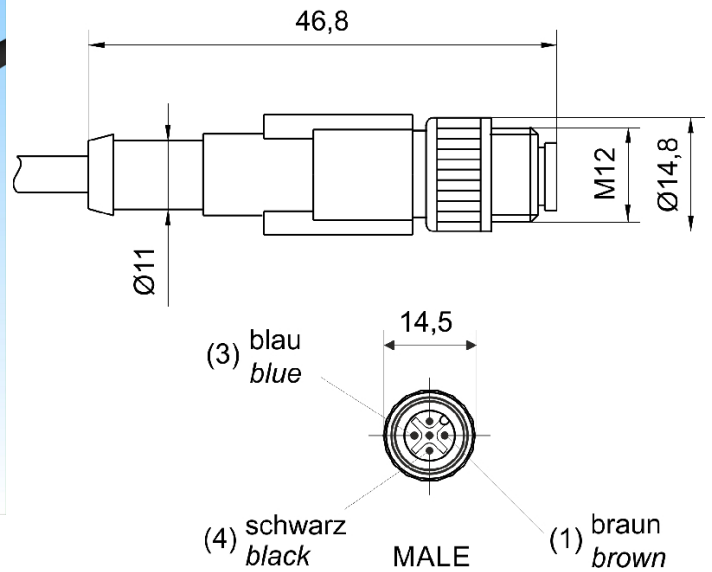


[Article Page](#)

Product Description

connector M12




Name

VS2-3/P/2m

Order number

44505121510

Connection

 Connector
gerade

Leaving

Technical Specification

Special features

Flexible cable conduit capable

Silicone-free

Signal type

connector

Operating temperature

-25 ° C to 80 ° C

Cable

offen

Number of terminals

3

Rated operating current at 40° C

4 A

Rated operating voltage

24 V

Contact resistance

≤ 5 mΩ

Isolation resistance

≥ 100 MΩ

Cable length

2 m

Allgemeine Kennwerte

Utilisation category

3

Contact durability

≥ 100

Contact material

CuSn

Contact surface material

Ni/Au

Contact holder

TPU

Shell type material

TPU

Knurled nut material

Zinkdruckguss

Sealing material

NBR

Kennwerte Leitung

Cable material

PUR

Cover material

Li9Y11Y

Wire isolation material

PP

Wire material

Cu Litze

Wiring diameter

4x0,34

Signal wire structure

42x0,10mm

Conductor diameter

1,27 mm 0,02 mm

Outer cover diameter

5,2 mm 0,2 mm

Conductor colour

braun, weiß, blau, schwarz

Cover colour	schwarz
Wire resistance	max. 58Ω/km
Nominal operating voltage	≤ 24 V
Test voltage unit	≥ 3000
Flame-retardant	nach UL-Style 20549
Halogen-free	nach DIN VDE 0472 Teil 815
Oil-resistant	nach DIN EN 60811-2-1
Other resistances	Highly resistant to acids, alkaline solutions and solvents, hydrolysis and microbe resistant

Errors and omissions excepted