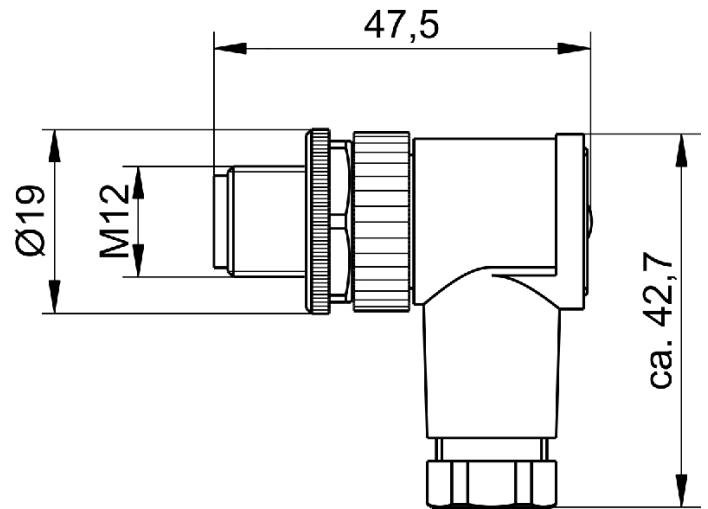



connector M12 self assembled



Name	VS2-4/W/PG7
Order number	44505133600
Connection	 Connector gewinkelt
Leaving	
Technical Specification	
Cable	selbstkonfektionierbar
Number of terminals	4
Rated operating current at 40° C	4 A
Rated operating voltage	250 V
Contact resistance	$\leq 8 \text{ m}\Omega$
Isolation resistance	$\geq 100 \text{ M}\Omega$
Allgemeine Kennwerte	
Utilisation category	3
Contact material	CuZn
Contact surface material	CuSnZn
Contact holder	PA
Shell type material	PBT
Knurled nut material	Zinkdruckguss
Sealing material	NBR
Kennwerte Leitung	

Errors and omissions excepted